



# OWNER'S MANUAL



## **HYPER SOUND® MONO/STEREO SYSTEM** directional audio speakers



# CONTENTS

1. Important Safety Information.....	3
2. General Specifications.....	4
3. Product Description.....	5
4. Items Included.....	6
5. Product Illustrations.....	7
6. Product Specifications.....	8
7. Connections: Mono System.....	9
8. Connections: Stereo System.....	10
9. Connections: Woofer Combo Box.....	11
10. Connections: Behringer Pre-Amp.....	12
11. Making Sound.....	13
12. Commercial Installation Guidelines.....	14
13. Reflective Surfaces.....	15
14. Placement.....	16
15. Mounting & Positioning.....	17
16. Troubleshooting.....	18
17. Terms of Warranty.....	19
18. Contact Information.....	21
19. Appendix:	
I. Regulatory Compliance Statements .....	22
II. Translated caution statements, warning conventions and warning messages .....	24

# 1. IMPORTANT SAFETY INFORMATION

1. Read all documentation prior to operating your equipment.
2. Follow all instructions carefully.
3. Keep these instructions.
4. Before making any connections to the HyperSound system, ensure you disconnect the unit from the mains power supply.
5. Only use power outlets that conform to the power requirements.
6. Use HyperSound Amplifier and supplied power source only.
7. Unplug the system during electrical storms or when unused for long periods of time.
8. Do not block any ventilation openings.
9. Keep system away from high heat or moisture producing items and/or devices.
10. This product is approved for indoor use only in normal operating temperatures.
11. Protect the power cord from being walked on or pinched, especially at plugs or anywhere the power cord connects to the system.
12. To reduce the risk of electronic shock, do not remove cover. There are no user serviceable parts inside.
13. CAUTION - Do not operate the apparatus with the front grill of the emitter removed.
14. Do not allow any foreign objects to pass through the emitter grill face or touch the emitter.
15. Do not spill water or other liquids into or on the unit.
16. System should be installed by a trained professional only.
17. Research indicates that levels of ultrasound used in HyperSound devices are not harmful.

## SAFETY REGULATIONS

*For commercial and professional use only*

### WARNING

To reduce the risk of fire or electric shock, do not expose this apparatus to rain or moisture.



This symbol is intended to alert the user to the presence of uninsulated "dangerous voltage" within the product's enclosure that may be of sufficient magnitude to constitute a risk of electric shock to persons.



This symbol is intended to alert the user to the presence of important operating and maintenance (servicing) instructions in the literature accompanying the appliance.

**Note:** Any modifications to the system not expressly approved by the manufacturer and/or compliance representative could void the user's authority to operate the equipment.

## 2. GENERAL SPECIFICATIONS

OSHA (USA) OSHA Technical Manual, Section III, Chapter 5, Section V, Table III: 5-4 “TLV’s For Ultrasound”

FDA (USA) The Company has submitted the applicable reports to the FDA pursuant to Title 21, CFR, sub-chapter J as it pertains to ultrasonic devices for other than medical device applications.

EMC (electromagnetic compatibility) Safety



Packaging Specifications (USA)

The packaging for HyperSound Systems is suitable for common parcel shipment.

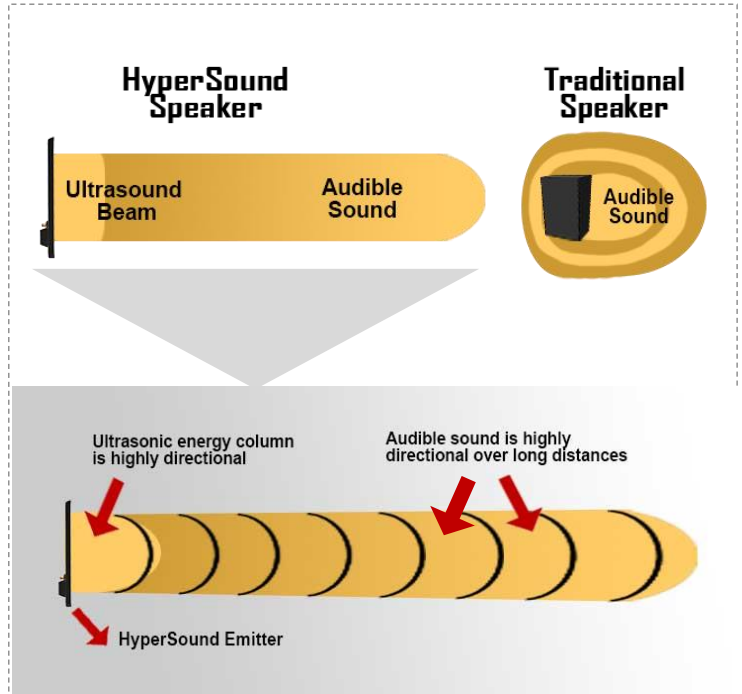
Structures and methods utilized in this system are patented under one or more US patents. US 6,011,855, US 6,044,160, US 6,151,398, US 6,584,205, US 6,577,738, US 6,606,389, US 7,162,042, US 7,298,853, US 7,729,498, US 8,391,514, US 8,718,297, US 8,767,979 and other additional US and International patents pending.

### 3. PRODUCT DESCRIPTION

HyperSound is a uniquely effective solution for creating audio zones. The technology generates audible sound along an ultrasonic beam that is highly directional and maintains sonic clarity and intelligibility over longer distances than traditional loudspeakers.

By beaming sound with the same precision as a flashlight, messages only reach the intended target. Because audio can be tightly directed to a specific area it provides individuals in that area the benefit of audio without disturbing others.

Since the HyperSound directed audio speaker delivers sound precisely, less volume is necessary to project sound where it is needed. Since ultrasound is highly directional, the audio sound placement is precise. Directional sound is pointed to the target listener(s) or intentionally reflected off a surface.



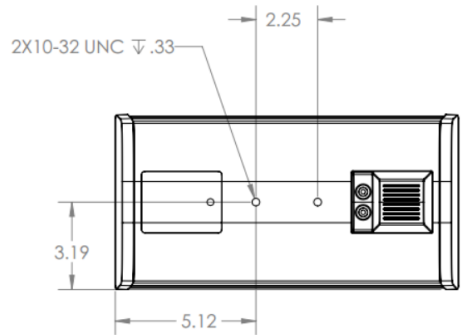
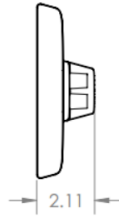
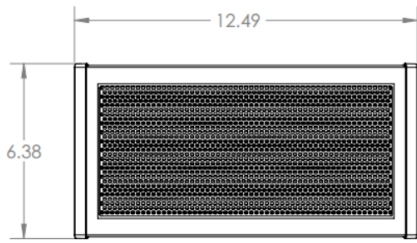
Key Features	Benefits
<b>Small speaker size, lightweight</b>	<ul style="list-style-type: none"> <li>• Easy integration into commercial applications</li> <li>• Multiple mounting options, easy to mount, very thin and flat</li> </ul>
<b>Highly directional</b>	<ul style="list-style-type: none"> <li>• Creates tight audio zones</li> <li>• Isolates sound to a specific region or person</li> <li>• Diminishes sound bleed and noise pollution</li> <li>• Communicate audio over longer distances while maintaining intelligibility</li> <li>• Effective in high ambient noise environments</li> </ul>
<b>Can act as a virtual audio source</b>	<ul style="list-style-type: none"> <li>• Sound can be projected from surfaces</li> </ul>
<b>Ability to target each ear individually</b>	<ul style="list-style-type: none"> <li>• Produces 3D audio effect</li> </ul>
<b>Patented DSP processing</b>	<ul style="list-style-type: none"> <li>• Innovative techniques generate low distortion and enhanced frequency response to support a multitude of directed audio applications</li> </ul>

## 4. ITEMS INCLUDED

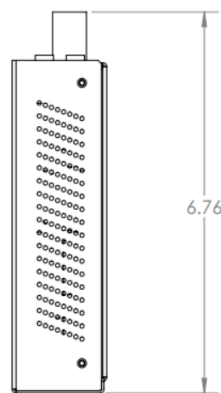
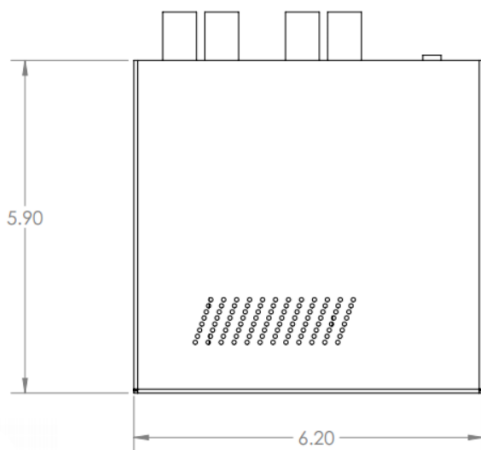


	<b>MONO SYSTEM</b>	<b>STEREO SYSTEM</b>
<b>A</b>	1 HyperSound Speaker	2 HyperSound Speakers
<b>B</b>	1 Set of red & black speaker cables with banana connectors 1 Audio cable	2 Sets of red & black speaker cables with banana connectors 1 Audio cable
<b>C</b>	1 Amplifier	1 Amplifier
<b>D</b>	1 30 volt DC power supply	1 30 volt DC power supply

# 5. PRODUCT ILLUSTRATIONS



TITLE: <b>6x10 Emitter</b> Full Assembly		
SIZE <b>B</b>	DWG. NO. 13-0001-00-00	REV <b>A</b>



TITLE: <b>Amplifier</b> Full Housing		
SIZE <b>B</b>	DWG. NO. 13-0101-00-00	REV <b>A</b>

# 6. PRODUCT SPECIFICATIONS

## MODEL HSS-3000

### Electrical:

AC power cord length:  
1.5 meters (5 feet)  
Speaker cord length  
(14AWG):  
2 meters (6.5 feet)  
Universal power supply:  
Input: 100V-240V-50/60  
Hz  
Output: 30V DC @ 1.5  
amps

### Mechanical:

Speaker dimensions:  
12.5 x 6.375 x 2.125  
inches  
Amplifier box:  
6.25 x 6.75 x 1.875 inches  
Unit Weight:  
7.4 pounds (3.4 kg)  
(per complete system)

### Colors:

Black - Standard  
White - Standard

### Environmental:

Operating temperature:  
10°C to 40°C (50° to  
104°F)  
Storage temperature:  
-20°C to 50°C (-4°to  
122°F)  
Operating humidity range:  
0 to 95% (non-  
condensing)  
Storage humidity range:  
0 to 95% (non-  
condensing)

### System:

Max audio SPL output:  
(single speaker) 89dB  
@ 1.5 kHz/2 meters

### Audio:

Impedance: 10k Ohms  
Input connectors: 1  
RCA style connector  
(per channel)  
Speaker cable  
connectors:  
2 banana style  
connectors (per  
speaker)  
Powered subwoofer  
output:  
1 RCA style

### System configuration:

Stereo 2 channel or  
mono  
Max input for max  
output: 160 mVrms per  
channel  
Frequency response:  
300 Hz to 18kHz

### Ultrasonic and DSP

#### Processing:

Carrier frequency:  
Proprietary in range of  
40 kHz  
Modulation method:  
Proprietary and patent  
pending processing

#### Ultrasonic Speaker

##### Type:

HyperSound proprietary,  
patented and patent  
pending monolithic film  
transducer

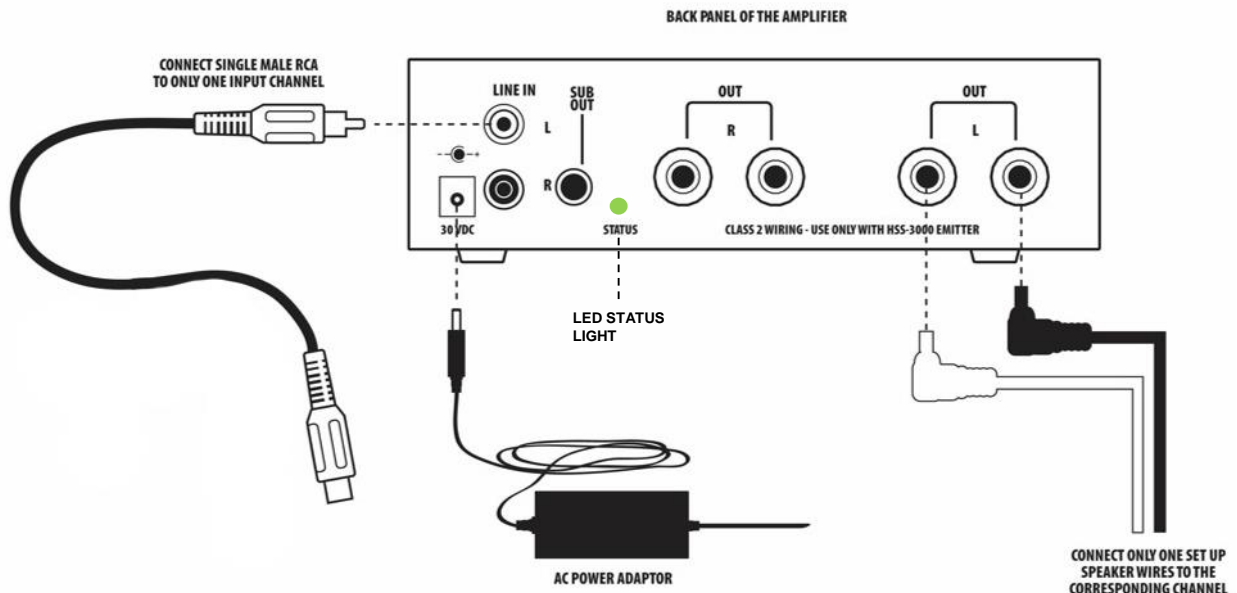
#### Power Amplification:

Amplifier type:  
Customized Class D  
digital Amplifier power  
output: 15 watts

Specifications are subject  
to change without notice.



# 7. CONNECTIONS: MONO SYSTEM



NOTE: Unplug equipment while configuring all audio and power connections.

## STEP 1: SPEAKER CABLE CONNECTIONS

Connect only one set of cables with red and black banana connections to the back of the speaker and the corresponding ends to the back of the amplifier as shown to the L – left channel.

## STEP 2: RCA CABLE CONNECTIONS

Take the dual female RCA cable with the single male RCA cable at the other end, and connect the single male RCA to only the L (left) input channel. Connect the other end to your audio source (iPhone, iPad, PC, MP3 Player, TV, etc.) The input impedance is approximately 10k Ohms.

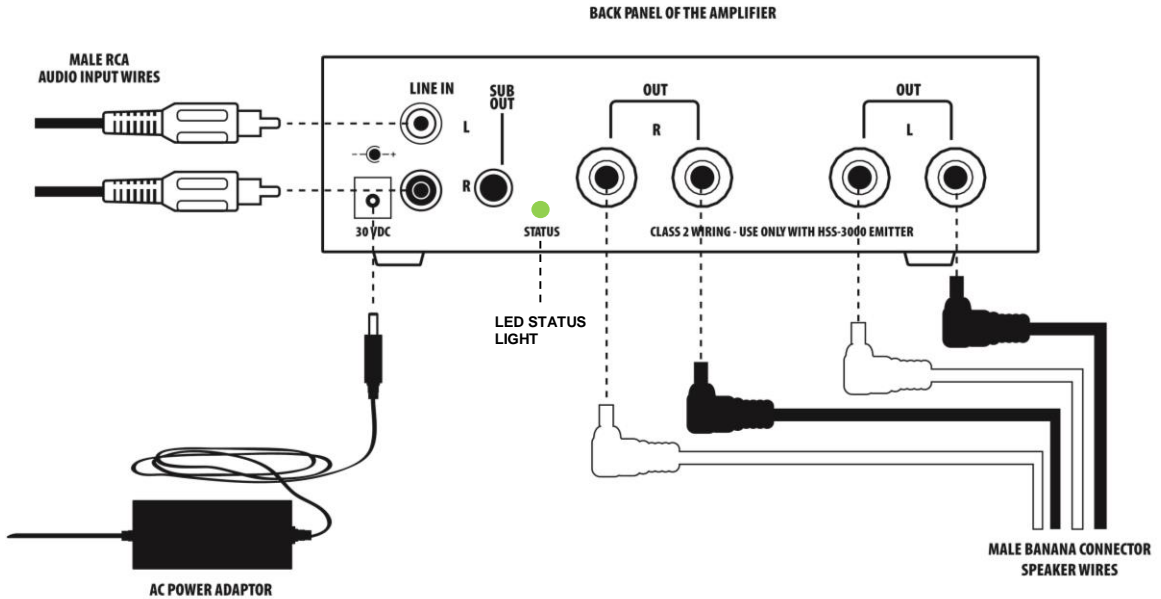
NOTE: Upon applying power to the system, the volume will slowly ramp up taking up to 1 minute to reach full volume. Wait for this time to be exceeded before adjusting the input level to the amplifier.

## STEP 3: AMPLIFIER POWER CONNECTION

- Plug the amplifier power cord into the 30v DC Supply located on the back of the amplifier
- Plug the amplifier power supply into a properly grounded AC outlet

NOTE: The unit does not have a power switch. It will automatically turn ON when AC power is established. After connecting to the AC power outlet, a small LED light located next to the DC power receptacle will glow green, indicating the unit is on.

# 8. CONNECTIONS: STEREO SYSTEM



NOTE: Unplug equipment while configuring all audio and power connections.

## STEP 1: SPEAKER CABLE CONNECTIONS

Connect cables with red and black banana connections to the back of each speaker and the corresponding ends to the back of the amplifier as shown.

## STEP 2: RCA CABLE CONNECTIONS

Plug the dual RCA Jack end of this cable into the amplifier. Connect the other end to your audio source (iPhone, iPad, PC, MP3 Player, TV, etc.) The input impedance is approximately 10k Ohms.

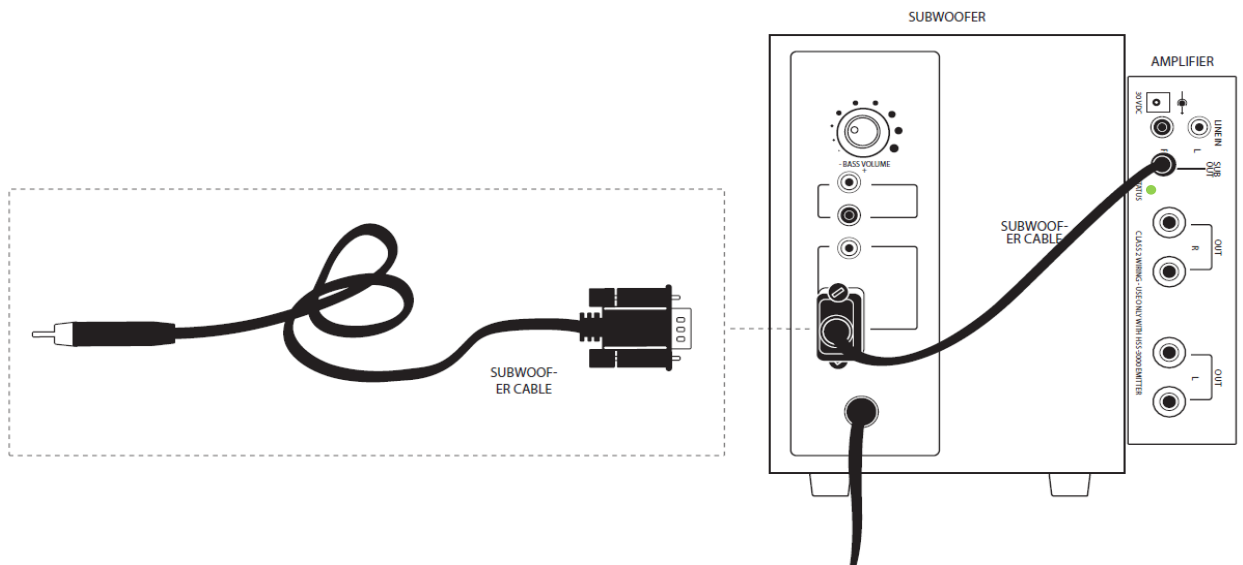
NOTE: Upon applying power to the system, the volume will slowly ramp up taking up to 1 minute to reach full volume. Wait for this time to elapse before adjusting the input level to the amplifier.

## STEP 3: AMPLIFIER POWER CONNECTION

- Plug the amplifier power cord into the 30v DC Supply located on the back of the amplifier
- Plug the amplifier power supply into a properly grounded AC outlet

NOTE: The unit does not have a power switch. It will automatically turn ON when AC power is established. After connecting to the AC power outlet, a small LED light located next to the DC power receptacle will glow green, indicating the unit is on.

## 9. CONNECTIONS: WOOFER COMBO BOX CONNECTIONS (OPTIONAL SET-UP)

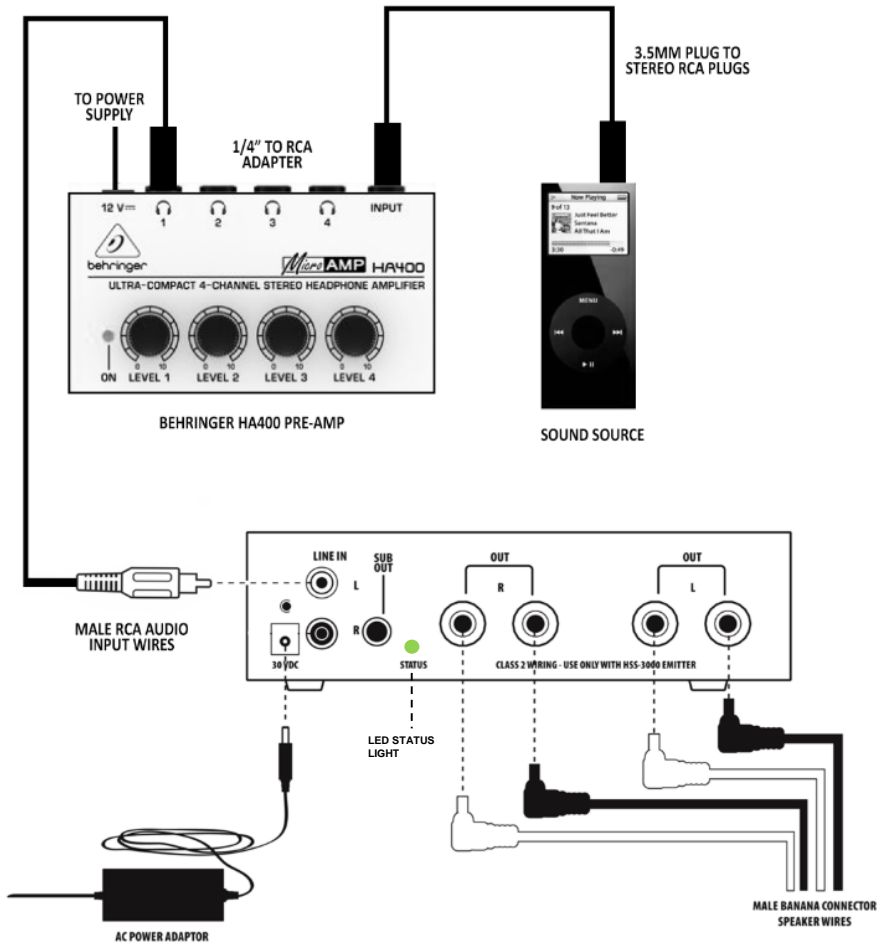


### WOOFER CABLE WITH ONE MALE RCA AND DB9 CONNECTION

STEP 1: Connect Male RCA connection to Sub Out connection on the back of the Amplifier.

STEP 2: Plug the DB9 Connector to the Female DB9 Connector on the back of the woofer.

# 10. CONNECTIONS: BEHRINGER PRE-AMP CONNECTIONS (OPTIONAL)



## WHEN TO USE A BEHRINGER PRE-AMP

If you decide to use a media player that has low output levels, the HyperSound amplifier may not be sufficient for achieving desired loudness from the emitters.

In this case, we recommend using a Behringer Pre-Amp, which will provide the signal boosting needed for optimal results.

NOTE: Unplug equipment while configuring all audio and power connections.

### STEP 1: SPEAKER CABLE CONNECTIONS

Connect cables with red and black banana connections to the back of each speaker and the corresponding ends to the back of the amplifier as shown.

### STEP 2: RCA CABLE CONNECTIONS

- Plug the dual RCA Jack end of this cable into the amplifier. Connect the other end to The Behringer Pre-Amp.
- Plug a 3.5MM RCA Jack into the Pre-Amp's Input, and the other end to your sound source.

NOTE: Up to 4 HyperSound Amplifiers can be connected to the Behringer HA4000. Connect to Outputs 1 – 4.

### STEP 3: BEHRINGER POWER CONNECTION

- Plug the Behringer HA4000 12vdc power cord into the 12vd DC Supply located on the back of the Behringer Amplifier.
- Plug the Behringer amplifier power supply into a properly grounded AC outlet.

NOTE: To make adjustments, start with the Behringer HA4000 level at 0 and turn clockwise until you reach desired output level. If status light on HyperSound Amplifier flashes, you are over-driving the input and should reduce the input level until light is solid.

# 11. MAKING SOUND

Volume is controlled by the audio source device. HyperSound is highly directional, which allows for precise sound placement. Directional sound is pointed to the target listener(s) or intentionally reflected off an object. It is imperative to adjust the volume to a low enough level that is above the ambient noise level, yet loud enough to hear comfortably.

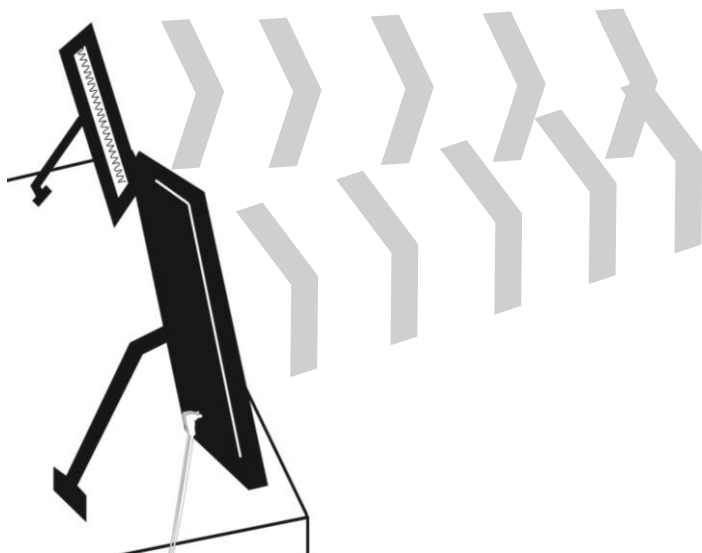
**Note:** Often when setting input or making adjustments, the volume is set too loud because the person adjusting the volume level and the person listening are not within the actual audio foot print, or intended listening zone. For best acoustic performance it is recommended that you maintain a > 3 feet distance between the emitter and the listener.

## SETTING THE INPUT LEVEL

- a) Turn the unit on with all audio connections made.
- b) Wait 1 minute for the amplifier volume to stabilize.
- c) Using the green LED at the rear of the unit as a guide, increase the volume from the audio source until the green LED flashes at times.
- d) Set the audio input level to just below the point where the green LED flashes.
- e) This represents the maximum input level. Using above this level will generate excessive distortion.

## PLAYING TEST TRACKS

- a) Connect the 3.5mm jack of the audio cable into your audio player device (iPhone, iPad, MP3 player, PC, TV, etc.)
- b) Play the desired audio track



# 12. COMMERCIAL INSTALLATION GUIDELINES

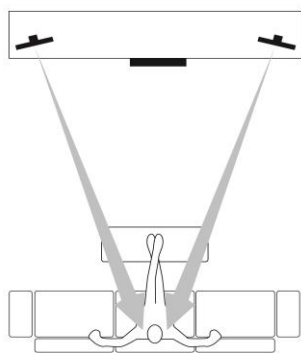
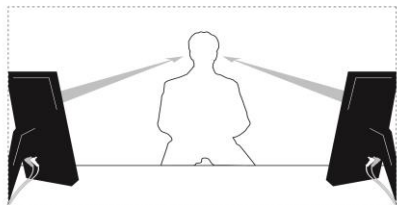
## DESIGN OBJECTIVES

HyperSound is a uniquely effective solution for environments in which directionality is important. Other circumstances include the need for:

- Sound zone(s) or sound isolation
- Clear, intelligible audio
- Immersive listener experience(s)

When designing HyperSound into projects, keep in mind the system's main objective is to improve application performance without sound bleed and without adding to distracting background noise.

Audio footprint (zone) size depends on height and orientation of the system. If speakers are not able to provide sufficient sound pressure level, intelligibility, or cover the intended space, additional speakers may be used.



## CHOOSING THE RIGHT MEDIA

One of the most important considerations is selecting media that can be heard clearly over any ambient noise.

For optimal playback, it is best to select audio files with the following attributes:

- Close, or within, human speech frequencies (300-7000 Hz)
- Does not contain high-contrasting content (numerous low volume sections and high volume sections within the same track)

If there is a requirement for numerous sound zones, each playing different media content, then each feed requires its own audio source and amplifier.

## CREATING 3D AUDIO APPLICATIONS

You can create 3D audio experiences by setting-up HyperSound stereo speakers so that directed sound targets each ear individually.

- To ensure they are placed properly, first set them side-by-side.
- Direct the left speaker toward the Listener's left ear, and the right speaker toward the Listener's right ear.
- Adjust the speakers so that they are at equal angles.
- The speakers must be set at the exact same angle from the Listener to achieve the optimal level of highly targeted sound.
- The Listener should hear the sound equally from each speaker.

**NOTE:** If the Listener feels the audio is not balanced, adjust the speakers by turning them in or out until the Listener reports that the sound is centered.

# 13. REFLECTIVE SURFACES

## REFLECTIVE SURFACES

Although HyperSound's audio beam is very narrow, it still will reflect from surfaces. Just like a mirror reflects light from a flashlight, HyperSound will reflect audio in a similar manner. It's important to understand that sound reflects from all hard surface materials, and will act differently when it hits other types of surfaces.

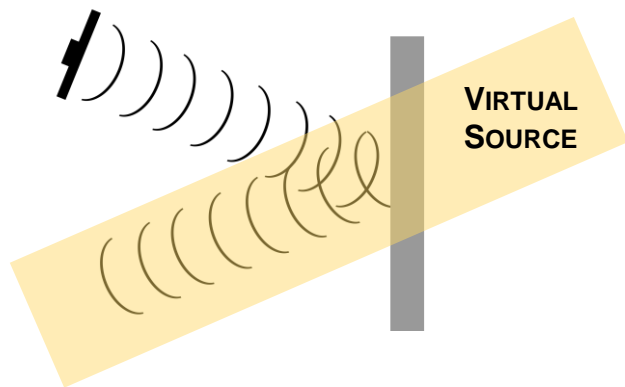
### Tips:

- In order to avoid unwanted reflections, which spread the sound to wanted areas it is recommended that volume level should not be set any higher than necessary.
- If you have wood or vinyl flooring, try placing an area rug to help absorb some of those harmful reflections.

## USING SURFACES FOR PROJECTION

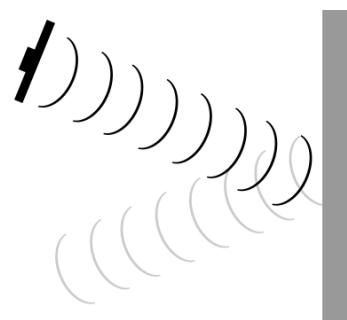
One of HyperSound's unique features is that it can leverage reflective surfaces to act like a virtual audio source. If the listener is not in the sound beam (standing off to the side or behind the HyperSound speaker) and the beam strikes a hard surface, the sound will be reflected back into the environment. By directing the sound beam against a surface that is reflective (such as wall or table), audible sound is created at the point of impact, which can create a powerful virtual speaker effect. It is also important to note that the beam will reflect with very similar directivity, so you should ensure beam stays within the intended listening area.

HS SOURCE



REFLECTION & VIRTUAL SOURCE

HS SOURCE



ABSORPTION

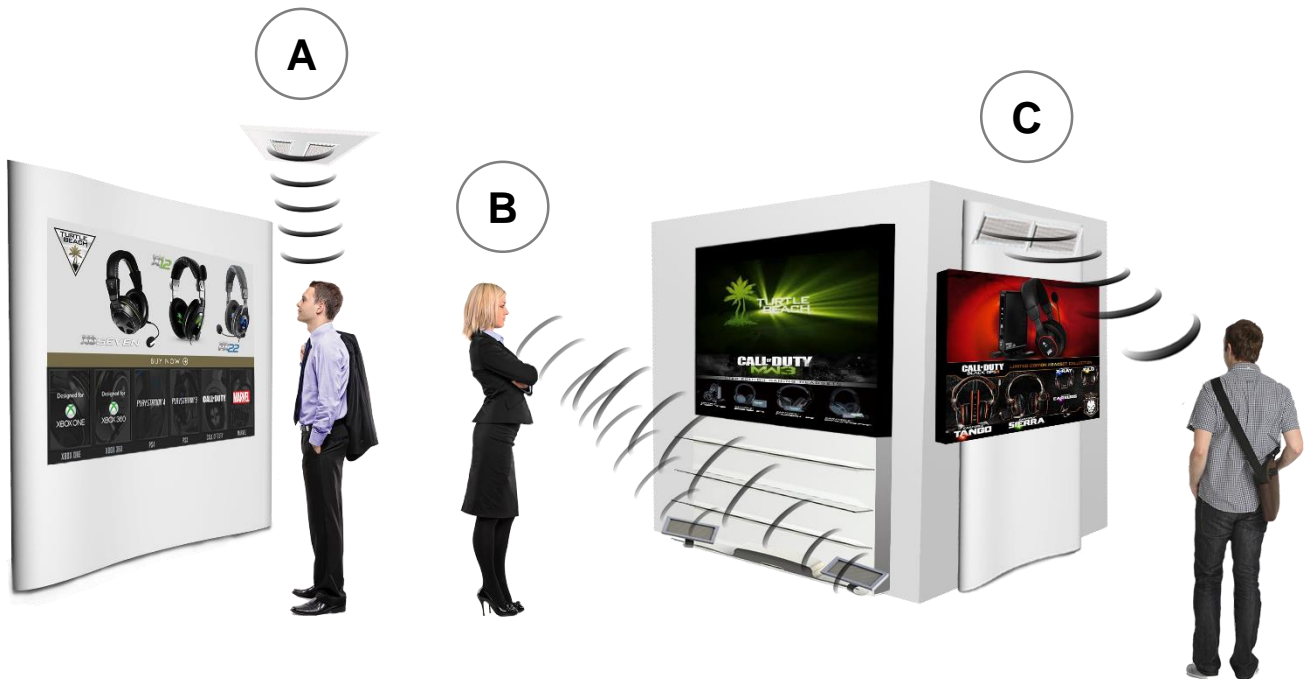
**Note:** Wherever you see your speaker reflected in the mirror, that's a point of reflection that should receive absorptive, or in some cases, diffusive acoustic treatment. Applying absorptive material to walls and other reflective surfaces is the primary method for taming unwanted reflections.

# 14. PLACEMENT

## Important considerations when deciding on mounting/placement of your system:

- Speakers should be directed towards intended listeners only as to not disturb nearby employees or patrons.
- Amplifiers and speakers can be mounted separately, for example, into a separate room/cabinet where other components such as content players. We recommend the distance between the amplifier and speaker not to exceed 25 feet.
- For the best results, we recommend (refer to the diagram below):
  - a) Mounting the system directly above the listener
  - b) Mounting the system on the floor facing upwards toward the listener
  - c) Mounting the system on a wall facing downward at an angle toward the listener

**NOTE:** The customer is responsible for the correct selection and use of mounting hardware that will ensure the proper and safe wall-mounting of the speakers. Mounting and suspension of speakers should be done only by qualified professionals. Unsafe mounting can result in serious injury and equipment damage.





# 15. MOUNTING & POSITIONING

## A.) TABLE & WALL-MOUNTING

Mounting hardware must position the system at the optimum height with appropriate angle adjustment capability.

## B.) CEILING INSTALLATIONS

HyperSound does well in high ceiling applications since it generates a clearly focused sound beam without bleed. Custom ceiling box fixtures can be fitted directly into paneled ceilings for seamless audio integration. Whether the listener is standing or sitting - must also be taken into account. Recommended height range is when the speaker is positioned within 10 – 20 feet away from the intended listener's ear.

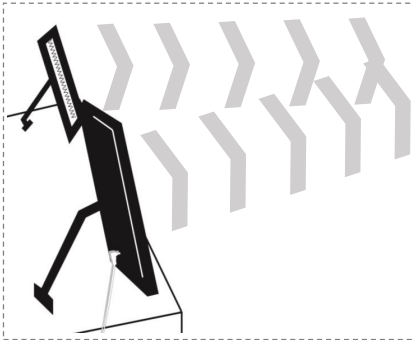
## C.) FLOOR & KIOSK INSTALLATIONS

Lightweight speaker design and slim form factor make floor applications easy. Customizable floor modules are a simple solution for adding HyperSound to kiosk environments. The speakers blend easily into the building architecture and do not draw attention.

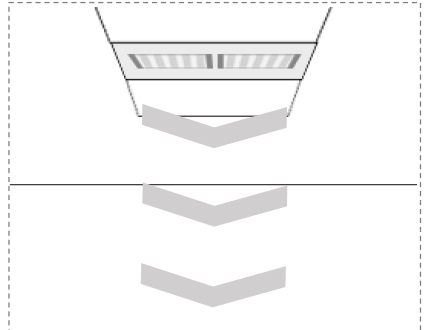
## D.) TWIN SPEAKER ASSEMBLY

Create side-by-side HyperSound configurations with custom speaker brackets.

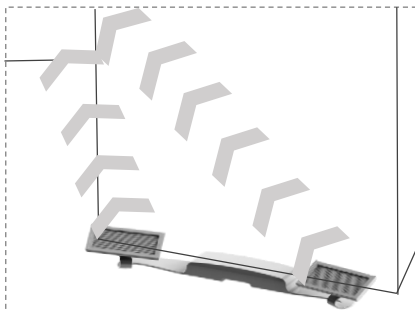
A



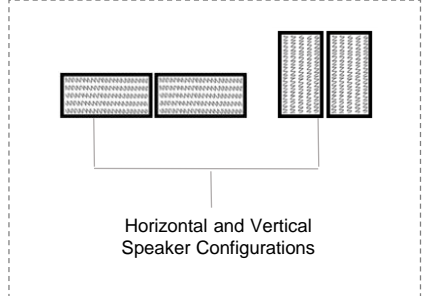
C



B



D



# 16. TROUBLESHOOTING

If there is little or no sound from your speakers, check these settings:

- Make sure a signal source is connected and producing sound.
- Make sure speakers are aimed at the target listening area.
- Make sure the power cord is plugged in and the green LED is illuminated at the rear of the unit.
- Check to ensure the amplifier is turned on and connected to the speaker(s).
- Make sure none of the speaker wires are damaged (frayed, cut, etc.).
- Make sure no wires are touching other wires/terminals (can create short circuit).
- Experiment with different locations and/or angles for optimal audio placement.

If the above measures do not correct the problem, please contact HyperSound at [hs.sales@turtlebeach.com](mailto:hs.sales@turtlebeach.com) or call (888) 477-2150.

# 17. TERMS OF WARRANTY

## WARRANTY COVERAGE

Turtle Beach Corporation's ("TBC") warranty obligations are limited to the terms set forth below: TBC warrants this hardware product or products to the purchaser of record (the customer) against defects in materials and workmanship for a period of ONE (1) YEAR from the date of the original purchase from TBC. If a defect exists, in TBC's judgment, at its option, TBC will (1) repair the product at no charge, using new or refurbished replacement parts or (2) exchange the product with a product that is new or which has been manufactured from new or serviceable used parts and is at least functionally equivalent to the original product. If TBC cannot, or determines that it is not practical to, repair or replace the returned product, the price therefore paid by the customer will be refunded. A replacement or repaired product shall be warranted for the remainder of the warranty period or 90 days from the date the replacement or repaired product is shipped from TBC to the customer, whichever provide longer coverage. When a product or part is exchanged, any replacement item becomes the customer's property and the replaced item becomes TBC's property. If a defect does not exist, in TBC's judgment, the customer will be charged a \$125 service fee.

## OBTAINING WARRANTY SERVICE

For U.S. customers, please contact TBC Customer Support at 888-477-2150 or [hs.sales@turtlebeach.com](mailto:hs.sales@turtlebeach.com) to obtain a Return Authorization (RA) code. No returns will be accepted without a valid RA issued by TBC. If you have purchased your unit outside of the U.S., please contact the HSS-III licensee, dealer, distributor, or installer where you purchased the unit. The customer shall be responsible for all loss or damage during shipment of the product for warranty service and damage claims should be filed with the carrier.

Repaired units in the U.S. will be returned to you via the method of TBC's choosing. Return shipping will be paid by TBC. For customers outside the U.S., check with the HSS licensee, dealer, distributor, or installer where you purchased the unit with regards to their particular policies for shipping and service.

You should include the following information with your unit: Name, Company Name, Address, Daytime Telephone Number, Model & Serial Number, E-mail Address, Purchase Date, and a detailed description of the problem.

## DISCLAIMER OF WARRANTIES AND EXCLUSIONS

The TBC Standard Limited Hardware Warranty applies only to hardware products manufactured by or for TBC that can be identified by the Turtle Beach Corporation, HyperSound or HSS trademark, trade name, or logo affixed to them.

THIS WARRANTY AND REMEDIES SET FORTH ABOVE ARE EXCLUSIVE AND IN LIEU OF ALL OTHER WARRANTIES, REMEDIES AND CONDITIONS, WHETHER ORAL OR WRITTEN, EXPRESS OR IMPLIED. TBC SPECIFICALLY DISCLAIMS ANY AND ALL IMPLIED WARRANTIES, INCLUDING, WITHOUT LIMITATIONS, WARRANTIES AND MERCHANTABILITY AND FITNESS FOR A PARTICULAR PURPOSE. IF TBC CANNOT LAWFULLY DISCLAIM IMPLIED WARRANTIES UNDER THIS LIMITED WARRANTY, ALL SUCH WARRANTIES, INCLUDING WARRANTIES OF MERCHANTABILITY AND FITNESS FOR A PARTICULAR PURPOSE, ARE LIMITED IN DURATION TO THE DURATION OF THIS WARRANTY. NO TBC LICENSEE, DISTRIBUTOR, RETAILER, INSTALLER, OR EMPLOYEE IS AUTHORIZED TO MAKE ANY MODIFICATION, EXTENSION, OR ADDITION TO THIS WARRANTY.

SOME STATES OR JURISDICTIONS DO NOT ALLOW FOR THE DISCLAIMER OF IMPLIED WARRANTIES OR ALLOW LIMITATIONS ON HOW LONG AN IMPLIED WARRANTY LASTS, SO THE ABOVE LIMITATIONS MAY NOT APPLY TO YOU.

## **EXCLUSIONS FROM WARRANTY**

TBC SHALL NOT BE LIABLE FOR NOR SHALL THIS WARRANTY INCLUDE OR APPLY TO LOSS OR DAMAGE CAUSED BY OR RESULTING FROM THE FOLLOWING:

- 1) Improper installation of the product or the failure to install in strict compliance with specifications provided by TBC;
- 2) Operation of the product in a manner other than as specified in the operations and maintenance manuals or website of TBC;
- 3) Use of the product beyond its rated capacity or specifications;
- 4) Modification, alteration or repair not performed by TBC or its authorized subcontractors or third parties approved by TBC;
- 5) A force majeure condition or event, including but not limited to riots, wars, acts of enemies, terrorist act or threat, floods, fires, earthquakes, vandalism or other similar casualty or acts of God.
- 6) The enforcement of any law or ordinance regulating use of the product, except for any law or ordinance in effect as of the date of delivery;
- 7) Abuse, misuse, negligent handling, improper or inadequate maintenance, tampering, or accident;
- 8) Operation on improper voltages;
- 9) Accessories, alterations, attachments or other devices not furnished and installed by TBC or its authorized agents, employees or subcontractors;
- 10) Any HyperSound product, which was not purchased directly from TBC or an authorized TBC licensee, distributor, or installer;
- 11) If the TBC serial number has been removed or defaced; or
- 12) Failure of the customer to follow operating procedures or the instructions of TBC, or to provide a suitable operating environment.

AN ACTION FOR BREACH OF WARRANTY OR OTHERWISE ARISING OUT OF THE ABOVE MUST BE COMMENCED WITHIN ONE (1) YEAR FROM THE DATE THE RIGHT, CLAIM OR CAUSE OF ACTION SHALL FIRST OCCUR, OR WILL BE BARRED FOREVER.

LIMITATION OF LIABILITY TBC IS NOT RESPONSIBLE FOR INDIRECT, SPECIAL, INCIDENTAL OR CONSEQUENTIAL DAMAGES RESULTING FROM THE DELIVERY, SALE, USE, INABILITY TO USE OR PERFORMANCE OF THE HARDWARE PRODUCT OR FROM ANY BREACH OF WARRANTY OR CONDITION, OR UNDER ANY OTHER LEGAL THEORY, INCLUDING BUT NOT LIMITED TO LOST PROFITS, DOWNTIME, GOODWILL, DAMAGE TO OR REPLACEMENT OF EQUIPMENT AND PROPERTY.

IN NO EVENT SHALL TBC BE LIABLE FOR ANY DAMAGES, INCLUDING DIRECT DAMAGES, WHETHER BASED IN THEORIES OF TORT, CONTRACT OR ANY OTHER LEGAL OR EQUITABLE THEORY, IN EXCESS OF THE AMOUNT PAID TO TBC BY THE CUSTOMER HEREUNDER. IT IS EXPRESSLY UNDERSTOOD AND AGREED THAT EACH AND EVERY PROVISION OF THIS AGREEMENT WHICH PROVIDES FOR A LIMITATION OF LIABILITY, DISCLAIMER OF WARRANTIES OR EXCLUSION OF DAMAGES, IS INTENDED BY THE PARTIES TO BE SEVERABLE AND INDEPENDENT OF ANY OTHER PROVISION AND TO BE ENFORCED AS SUCH.



## CONTACT INFORMATION

### For more information:

#### HyperSound Sales

(888) 477-2150

4275 Executive Square, Suite 500

La Jolla, CA 92037

hs.sales@turtlebeach.com

To learn more about HyperSound  
Directed Audio Solutions, visit

[hypersound.com](http://hypersound.com)

\*Trademark Information: HyperSound and HSS are registered trademarks of Turtle Beach Corporation. All other trade names and logos used herein are either trademarks or registered trademarks of the respective holders.

V4.5 September 2014



# 19. APPENDIX

## Appendix I: Regulatory Compliance Statements for the **HyperSound HSS-3000 Model**

### Federal Communications Commission (FCC) Compliance Notices

#### Class B Interference Statement

This equipment has been tested and found to comply with the limits for a Class B digital device, pursuant to Part 15, Subpart B of the FCC Rules. These limits are designed to provide reasonable protection against harmful interference in a residential installation. This equipment generates, uses, and can radiate radio frequency energy and, if not installed and used in accordance with the instructions, may cause harmful interference to radio communications. However, there is no guarantee that interference will not occur in a particular installation. If this equipment does cause harmful interference to radio or television reception, which can be determined by turning the equipment off and on, the user is encouraged to try to correct the interference by one or more of the following measures:

- Reorient or relocate the receiving antenna.
- Increase the separation between the equipment and receiver.
- Connect the equipment into an outlet on a circuit different from that to which the receiver is connected.
- Consult the dealer or an experienced radio/TV technician for help.

#### FCC Caution:

This device complies with Part 15 of the FCC Rules. Operation is subject to the following two conditions: (1) This device may not cause harmful interference, and (2) this device must accept any interference received, including interference that may cause undesired operation.

#### Canadian ICES Statements

##### Canadian Department of Communications Radio Interference Regulations

This digital apparatus does not exceed the Class B limits for radio-noise emissions from a digital apparatus as set out in the Radio Interference Regulations of the Canadian Department of Communications. This Class B digital apparatus complies with Canadian ICES-003.

##### Règlement sur le brouillage radioélectrique du ministère des Communications

Cet appareil numérique respecte les limites de bruits radioélectriques visant les appareils numériques de classe B prescrites dans le Règlement sur le brouillage radioélectrique du ministère des Communications du Canada. Cet appareil numérique de la Classe B est conforme à la norme NMB-003 du Canada.

# European Union and European Fair Trade Association (EFTA) Regulatory Compliance

## Declaration of Conformity

Marking by this symbol:



indicates compliance with the Essential Requirements of the EMC Directive of the European Union (2004/108/EC). This equipment meets the following conformance standards:

Safety: EN 60065: 2002 + A1: 2006 + A11: 2008 + A12: 2011 (T-Mark License)

Also Licensed for Standards:

IEC 60065: 2001 + A1: 2005 + A2: 2010, (CB Scheme Report/Certificate),

UL60065 (NRTL License), CSA22.2, 60065 (SCC License)

Additional licenses issued for specific countries available on request

Emissions: EN 55022: 2010, EN 55103-1: 2009, CISPR 22: 2008, EN 61000-3-2: 2009, EN 61000-3-3: 2008

Immunity: EN 55024: 2010, EN 55103-2: 2009, EN 61000-4-2: 2009, EN 61000-4-3: 2010,  
EN 61000-4-4: 2010, EN 61000-4-5: 2006, EN 61000-4-6: 2009, EN 61000-4-8:  
2010, EN 61000-4-11 : 2004

The products are licensed, as required, for additional country specific standards for the International Marketplace. Additional issued licenses available upon request.

Environmental: Low Voltage Directive 2006/95/EC, RoHS 2011/65/EU,  
REACH 2006/1907/EC, WEEE 2012/19/EU, Packaging 94/62/EC

## Warning!

This is a Class B product. In a domestic environment, this product may cause radio interference, in which case, the user may be required to take appropriate measures.

## Achtung!

Dieses ist ein Gerät der Funkstörgrenzwertklasse B. In Wohnbereichen können bei Betrieb dieses Gerätes Rundfunkstörungen auftreten, in welchen Fällen der Benutzer für entsprechende Gegenmaßnahmen verantwortlich ist.

## Attention!

Ceci est un produit de Classe B. Dans un environnement domestique, ce produit risque de créer des interférences radioélectriques, il appartiendra alors à l'utilisateur de prendre les mesures spécifiques appropriées.



This symbol on the product or its packaging indicates that this product must not be disposed of with your other household waste. Instead, it is your responsibility to dispose of your waste equipment by handing it over to a designated collection point for the recycling of waste electrical and electronic equipment. The separate collection and recycling of your waste equipment at the time of disposal will help conserve natural resources and ensure that it is recycled in a manner that protects human health and the environment. For more information about where you can drop off your waste for recycling, please contact your local authority, or where you purchased your product.

## Appendix II:

### Translated caution statements, warning conventions and warning messages

The following caution statements, warning conventions, and warning messages apply to this product and manual.



Warning Symbol



Hazard Warning



Caution Symbol

### Before operating your HSS-3000 unit, read the instructions in this document



#### Warning!

Read and follow all warning notices and instructions marked on the product or included in the documentation.

**Avertissement!** Lisez et conformez-vous à tous les avis et instructions d'avertissement indiqués sur le produit ou dans la documentation.

**Warnung!** Lesen und befolgen Sie die Warnhinweise und Anweisungen, die auf dem Produkt angebracht oder in der Dokumentation enthalten sind.

**¡Advertencia!** Lea y siga todas las instrucciones y advertencias marcadas en el producto o incluidas en la documentación.

**Aviso!** Leia e siga todos os avisos e instruções assinalados no produto ou incluídos na documentação.

**Avviso!** Leggere e seguire tutti gli avvisi e le istruzioni presenti sul prodotto o inclusi nella documentazione.



#### Warning!

Do not use this device near water and clean only with a dry cloth.

**Avertissement!** N'utilisez pas cet appareil près de l'eau et nettoyez-le seulement avec un tissu sec..

**Warnung!** Das Gerät nicht in der Nähe von Wasser verwenden und nur mit einem trockenen Tuch säubern.

**¡Advertencia!** No utilice este dispositivo cerca del agua y límpielo solamente con un paño seco.

**Aviso!** Não utilize este dispositivo perto da água e limpe-o somente com um pano seco.

**Avviso!** Non utilizzare questo dispositivo vicino all'acqua e pulirlo soltanto con un panno asciutto.



**Warning!**

Do not block any ventilation openings. Install in accordance with the manufacturer's instructions.

**Avertissement!** Ne bloquez aucune ouverture de ventilation. Suivez les instructions du fabricant lors de l'installation.

**Warnung!** Die Lüftungsöffnungen dürfen nicht blockiert werden. Nur gemäß den Anweisungen des Herstellers installieren.

**¡Advertencia!** No bloquee ninguna de las aberturas de la ventilación. Instale de acuerdo con las instrucciones del fabricante.

**Aviso!** Não obstrua nenhuma das aberturas de ventilação. Instale de acordo com as instruções do fabricante.

**Avviso!** Non ostruire le aperture di ventilazione. Installare in conformità con le istruzioni del fornitore.

**Warning!**

Do not install near any heat sources such as radiators, heat registers, stoves, or other apparatus (including amplifiers) that produce heat.

**Avertissement!** N'installez pas l'appareil près d'une source de chaleur telle que des radiateurs, des bouches d'air de chauffage, des fourneaux ou d'autres appareils (amplificateurs compris) qui produisent de la chaleur.

**Warnung!** Nicht in der Nähe von Wärmequellen wie Heizkörpern, Heizregistern, Öfen oder anderen Wärme erzeugenden Geräten (einschließlich Verstärkern) aufstellen.

**¡Advertencia!** No instale cerca de fuentes de calor tales como radiadores, registros de calor, estufas u otros aparatos (incluidos amplificadores) que generan calor.

**Aviso!** Não instale perto de nenhuma fonte de calor tal como radiadores, saídas de calor, fogões ou outros aparelhos (incluindo amplificadores) que produzam calor.

**Avviso!** Non installare vicino a fonti di calore come termosifoni, diffusori di aria calda, stufe o altri apparecchi (amplificatori compresi) che emettono calore.

**Warning!**

Refer all servicing to qualified service personnel. Servicing is required when the device has been damaged in any way, such as power-supply cord or plug is damaged, liquid has been spilled or objects have fallen into the device, the device has been exposed to rain or moisture, does not operate normally, or has been dropped.

**Avertissement!** Référez-vous au personnel de service qualifié pour tout entretien. L'entretien est exigé quand l'appareil a été endommagé de quelque manière que ce soit, par exemple lorsque le cordon d'alimentation ou la prise sont endommagés, que du liquide a été versé ou des objets sont tombés dans l'appareil, que l'appareil a été exposé à la pluie ou à l'humidité, ne fonctionne pas normalement ou est tombé.

**Warnung!** Das Gerät sollte nur von qualifizierten Fachkräften gewartet werden. Eine Wartung ist fällig, wenn das Gerät in irgendeiner Weise beschädigt wurde, wie bei beschädigtem Netzkabel oder Netzstecker, falls Flüssigkeiten oder Objekte in das Gerät gelangen, das Gerät Regen oder Feuchtigkeit ausgesetzt wurde, nicht ordnungsgemäß funktioniert oder fallen gelassen wurde.

**¡Advertencia!** Consulte al personal calificado por cuestiones de reparación. El servicio de reparación se requiere cuando el dispositivo ha recibido cualquier tipo de daño, por ejemplo cable o espigas dañadas, se ha derramado líquido o se han caído objetos dentro del dispositivo, el dispositivo ha sido expuesto a la lluvia o humedad, o no funciona de modo normal, o se ha caído.

**Aviso!** Remeta todos os serviços de manutenção para o pessoal de assistência qualificado. A prestação de serviços de manutenção é exigida quando o dispositivo foi danificado mediante qualquer forma, como um cabo de alimentação ou ficha que se encontra danificado/a, quando foi derramado líquido ou caíram objectos sobre o dispositivo, quando o dispositivo foi exposto à chuva ou à humidade, quando não funciona normalmente ou quando foi deixado cair.

**Avviso!** Fare riferimento al personale qualificato per tutti gli interventi di assistenza. L'assistenza è necessaria quando il dispositivo è stato danneggiato in qualche modo, ad esempio se il cavo di alimentazione o la spina sono danneggiati, è stato rovesciato del liquido è stato rovesciato o qualche oggetto è caduto nel dispositivo, il dispositivo è stato esposto a pioggia o umidità, non funziona correttamente o è caduto.



**Warning!**

Disconnect the external AC power supply line cord(s) from the mains power before moving the unit.

**Avertissement!** Retirez le ou les cordons d'alimentation en CA de la source d'alimentation principale lorsque vous déplacez l'appareil.

**Warnung!** Trennen Sie die Wechselstrom-Versorgungskabel vom Netzstrom, bevor Sie das Gerät verschieben.

**¡Advertencia!** Cuando mueva la unidad desenchufe de la red eléctrica el/los cable(s) de la fuente de alimentación CA tipo brick.

**Advertência!** Remova os cabos CA de alimentação brick da rede elétrica ao mover a unidade.

**Avvertenza!** Scollegare il cavo dell'alimentatore quando si sposta l'unità.



**Hazard Warning!**

High Voltage. This situation or condition can cause injury due to electric shock.

**Avertissement!** Tension élevée. Cette situation ou condition peut causer des blessures dues à un choc électrique.

**Warnung!** Hochspannung. Diese Situation oder Bedingung kann zu Verletzungen durch Stromschlag führen.

**¡Advertencia!** Alto voltaje . Esta situación o condición puede causar lesiones debidas a una descarga eléctrica.

**Aviso!** Alta Tensão . Esta situação ou condição pode causar danos devido a choques elétricos.

**Avviso!** Alta tensione. Questa situazione o condizione può causare lesioni a causa di scosse elettriche.



**Warning!**

Only use attachments and accessories specified and/or sold by the manufacturer.

**Avertissement!** Utilisez seulement les attaches et accessoires spécifiés et/ ou vendus par le fabricant.

**Warnung!** Verwenden Sie nur Zusatzgeräte und Zubehör angegeben und / oder verkauft wurde durch den Hersteller.

**¡Advertencia!** Utilice solamente los accesorios y conexiones especificados y/o vendidos por el fabricante.

**Aviso!** Utilize apenas equipamentos/acessórios especificados e/ou vendidos pelo fabricante.

**Avviso!** Utilizzare soltanto i collegamenti e gli accessori specificati e/o venduti dal produttore.

**Warning!**



Do not defeat the safety purpose of the polarized or grounding-type plug. A polarized plug has two blades with one wider than the other. A grounding type plug has two blades and a third grounding prong. The wide blade or the third prong are provided for your safety. If the provided plug does not fit into your outlet, consult an electrician for replacement of the obsolete outlet.

**Avertissement!** La sécurité de la prise polarisée ou de la prise de type mise à la terre ne doit en aucun cas être empêchée de fonctionner. Une prise polarisée a deux broches, l'une étant plus large que l'autre. Une prise de type mise à la terre a deux broches et une troisième broche pour la mise à la terre. La broche large ou la troisième broche sont fournies pour votre sécurité. Si la prise fournie ne s'insère pas dans votre prise femelle, consultez un électricien pour le remplacement de la prise femelle obsolète.

**Warnung!** Der Sicherheitszweck des gepolten bzw. Schukosteckers ist zu berücksichtigen. Ein gepolter Stecker verfügt über zwei Pole, von denen einer breiter als der andere ist. Ein Schukostecker verfügt neben den zwei Polen noch über einen dritten Pol zur Erdung. Der breite Pol bzw. der Erdungspol dienen der Sicherheit. Wenn der zur Verfügung gestellte Stecker nicht in Ihren Anschluss passt, konsultieren Sie einen Elektriker, um den veralteten Anschluss zu ersetzen.

**¡Advertencia!** No eche por tierra la finalidad del tipo de enchufe polarizado con conexión a tierra. Un enchufe polarizado tiene dos espigas, una más ancha que la otra. Un enchufe con conexión a tierra tiene dos espigas iguales y una tercera espiga que sirve para la conexión a tierra. La espiga ancha, o la tercera espiga, sirven para su seguridad. Si el enchufe suministrado no encaja en el tomacorriente, consulte con un electricista para reemplazar el tomacorriente obsoleto.

**Aviso!** Não anule a finalidade da segurança da ficha polarizada ou do tipo ligação terra. Uma ficha polarizada tem duas lâminas sendo uma mais larga do que a outra. Uma ficha do tipo de ligação à terra tem duas lâminas e um terceiro terminal de ligação à terra. A lâmina larga ou o terceiro terminal são fornecidos para sua segurança. Se a ficha fornecida não couber na sua tomada, consulte um electricista para a substituição da tomada obsoleta.

**Avviso!** Non compromettere la sicurezza della spina polarizzata o con messa a terra. Una spina polarizzata ha due spinotti, di cui uno più largo. Una spina con messa a terra ha due spinotti e un terzo polo per la messa a terra. Lo spinotto largo o il terzo polo sono forniti per motivi di sicurezza. Se la spina fornita non si inserisce nella presa di corrente, contattare un elettricista per la sostituzione della presa obsoleta.



**Warning!**

Since the Mains plug is used as the disconnection for the device, it must remain readily accessible and operable.

**Avertissement!** Puisque la prise principale est utilisée pour débrancher l'appareil, elle doit rester aisément accessible et fonctionnelle.

**Warnung!** Da der Netzstecker als Trennvorrichtung dient, muss er stets zugänglich und funktionsfähig sein.

**¡Advertencia!** Puesto que el enchufe de la red eléctrica se utiliza como dispositivo de desconexión, debe seguir siendo fácilmente accesible y operable.

**Aviso!** Dado que a ficha principal é utilizada como a desconexão para o dispositivo, esta deve manter-se prontamente acessível e funcional.

**Avviso!** Poiché il cavo di alimentazione viene usato come dispositivo di sconnessione, deve rimanere prontamente accessibile e operabile.



**Warning!**

Protect the power cord from being walked on or pinched particularly at plugs, convenience receptacles, and the point where they exit from the device.

**Avertissement!** Protégez le cordon d'alimentation pour que l'on ne marche pas dessus ou qu'on le pince, en particulier au niveau des prises mâles, des réceptacles de convenance, et à l'endroit où il sort de l'appareil.

**Warnung!** Es muss verhindert werden, auf das Netzanschlusskabel zu treten oder dieses zu knicken, besonders an den Steckern, den Steckerbuchsen und an dem Punkt, an dem das Kabel aus dem Gerät heraustritt.

**¡Advertencia!** Puesto que el enchufe de la red eléctrica se utiliza como dispositivo de desconexión, debe seguir siendo fácilmente accesible y operable.

**Aviso!** Proteja o cabo de alimentação de ser pisado ou de ser comprimido particularmente nas fichas, em tomadas de parede de conveniência e no ponto de onde sai do dispositivo.

**Avviso!** Proteggere il cavo di alimentazione in modo che nessuno ci cammini sopra e che non venga schiacciato soprattutto in corrispondenza delle spine e del punto in cui esce dal dispositivo.



**Warning!**

Unplug this device during lightning storms or when unused for long periods of time.

**Avertissement!** Débranchez cet appareil pendant les orages avec éclairs ou s'il est inutilisé pendant de longues périodes.

**Warnung!** Das Gerät ist bei Gewitterstürmen oder wenn es über lange Zeiträume ungenutzt bleibt vom Netz zu trennen.

**¡Advertencia!** Desenchufe este dispositivo durante tormentas eléctricas o cuando no se lo utilice por largos periodos del tiempo.

**Aviso!** Desconecte este dispositivo da tomada durante trovoadas ou quando não é utilizado durante longos períodos de tempo.

**Avviso!** Utilizzare soltanto i collegamenti e gli accessori specificati e/o venduti dal produttore, quali il treppiedi e l'esoscheletro.



**Warning!**

Do not open the chassis. There are no user-serviceable parts inside. Opening the chassis will void the warranty unless performed by a service center or licensed facility.

**Avertissement!** Ne pas ouvrir le châssis. Aucun élément à l'intérieur du châssis ne peut être réparé par l'utilisateur. La garantie sera annulée si le châssis est ouvert par toute autre personne qu'un technicien d'un centre de service ou d'un établissement agréé.

**Warnung!** Öffnen Sie das Gehäuse nicht. Keine der Geräteteile können vom Benutzer gewartet werden. Durch das Öffnen des Gehäuses wird die Garantie hinfällig, es sei denn, solche Wartungsarbeiten werden in einem Service-Center oder einem lizenzierten Betrieb vorgenommen.

**¡Advertencia!** No abra el chasis. El interior no contiene piezas reparables por el usuario. El abrir el chasis anulará la garantía a menos que se lo haga en un centro de servicio o en un local autorizado.

**Advertência!** Não abra o chassi. Não há internamente nenhuma peça que permita manutenção pelo usuário. Abrir o chassi anula a garantia, a menos que a abertura seja realizada por uma central de serviços da ou por um local autorizado.

**Avvertenza!** Non aprire lo chassis. All'interno non ci sono parti riparabili dall'utente. L'apertura dello chassis invaliderà la garanzia se non viene effettuata da un centro ufficiale o autorizzato.