

ACCESSORIES

**PVA 5050**

Camera/speaker holder



**PVA 5070**

Camera/speaker holder



**Specifications**

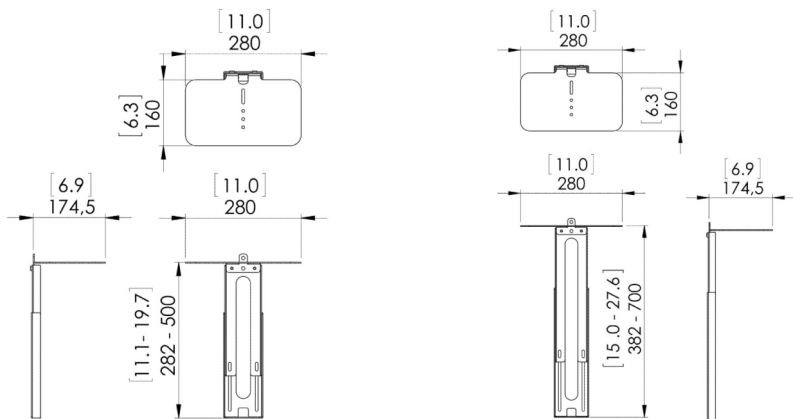
Max. weight load (lbs)	22	22
Min. screen size (inch)	40"	55"
Max. screen size (inch)	55"	90"

**Guarantee**

Guarantee	5 years	5 years
-----------	---------	---------

**General**

Colour	Black	Black
Article number	7015050	7015070
EAN single box	8712285329128	8712285329104



**PFA 9112**

Locking cabinet



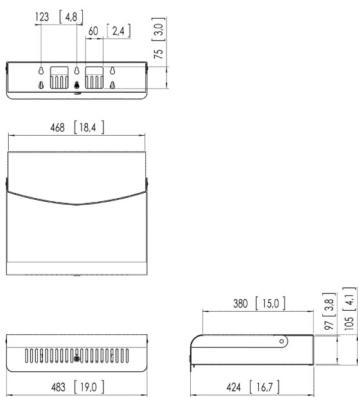
22 lbs

5 years

Silver

7291124

8712285324024



**PFA 9113**

Locking cabinet



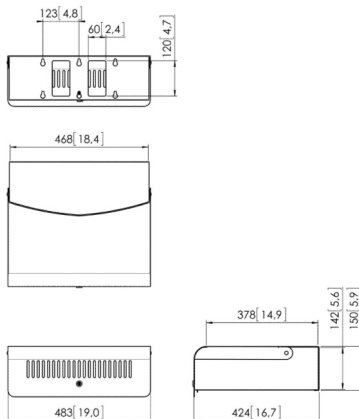
44 lbs

5 years

Silver

7291134

8712285324048



**PUA 9507**

Accessory tray for PUC 24/25/27



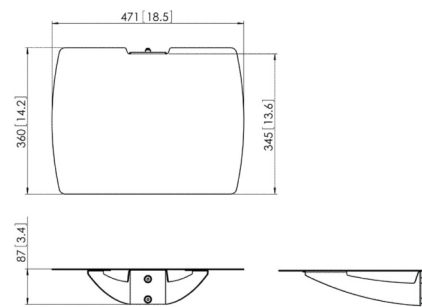
22 lbs

5 years

Silver | Black

7295094 (Silver)  
7295095 (Black)

8712285321047 (Silver)  
8712285325045 (Black)



ACCESSORIES

**PFA 9114**

Wheels heavy duty



**PFA 9124**

Grip for PUC 27/PUC 29



**Specifications**

Max. weight load (lbs)

353

**Guarantee**

Guarantee

5 years

5 years

**General**

Colour

Silver

Black

Article number

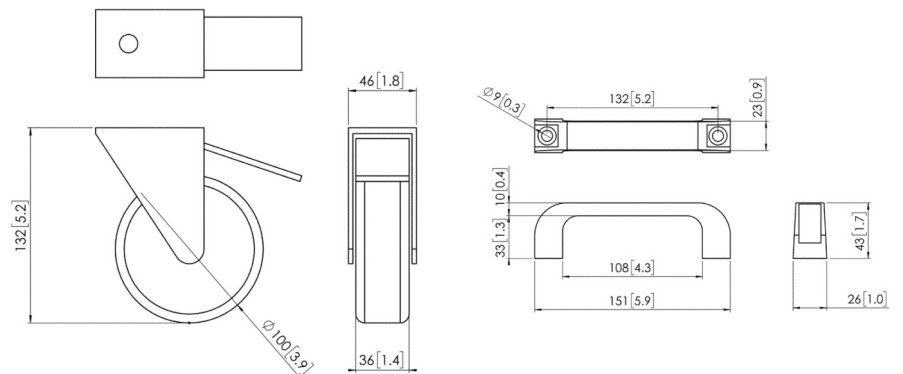
7291144

7291240

EAN single box

8712285324062

8712285330186



**PFA 9127**

Accessory clamp for PUC 24/PUC 25/PUC 27



22

5 years

Black

7091270

8712285331985

